

Sec. 19 Sec. 20
Sec. 30 Sec. 29

(Sheet 84)

Sec. 20 Sec. 29
Sec. 30 Sec. 29

(Sheet 63)

29

(Sheet 82)

Sec. 30 Sec. 29
Sec. 31 Sec. 32

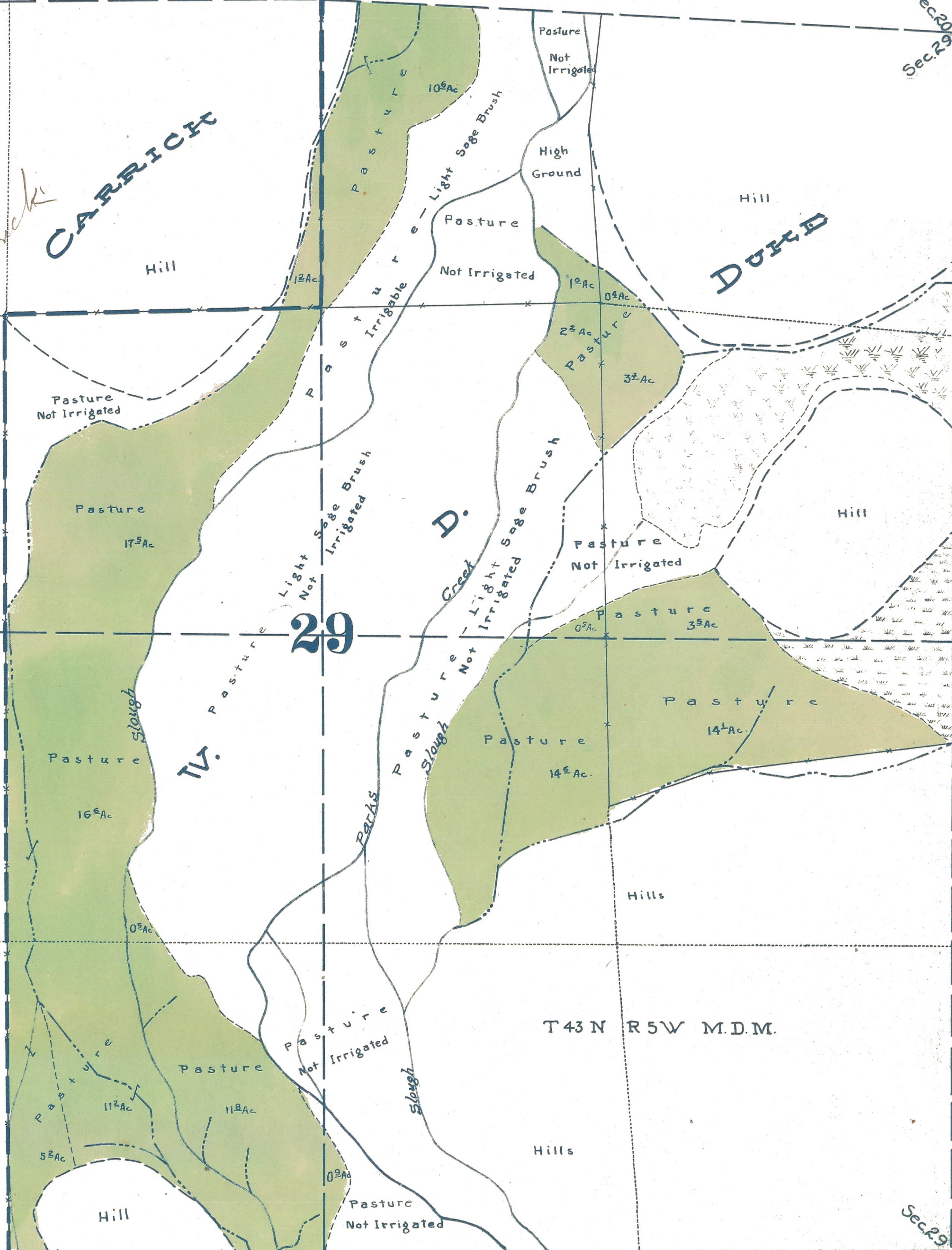
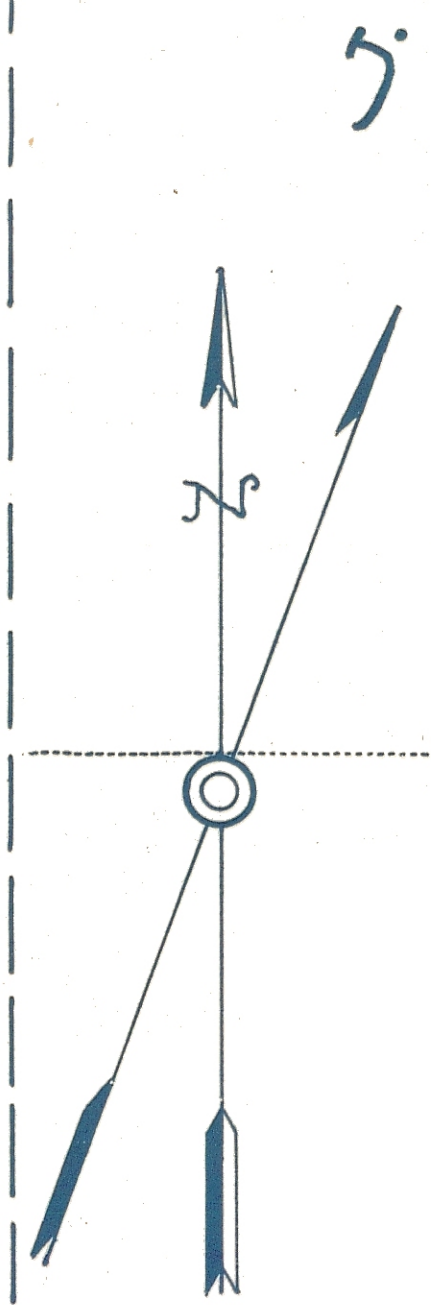
(Sheet 79)

Sec. 29 Sec. 30
Sec. 32 Sec. 31

Ormit Ranch

CARRICK

DUKE



STATE OF CALIFORNIA
DEPARTMENT OF PUBLIC WORKS
DIVISION OF WATER RIGHTS
**LANDS IRRIGATED FROM SHASTA RIVER
AND TRIBUTARIES**
SISKIYOU COUNTY CALIFORNIA M.D. 53
SHOWN BY A
PLANE TABLE SURVEY

SCALE 1" = 300 FT.

1925

1/3